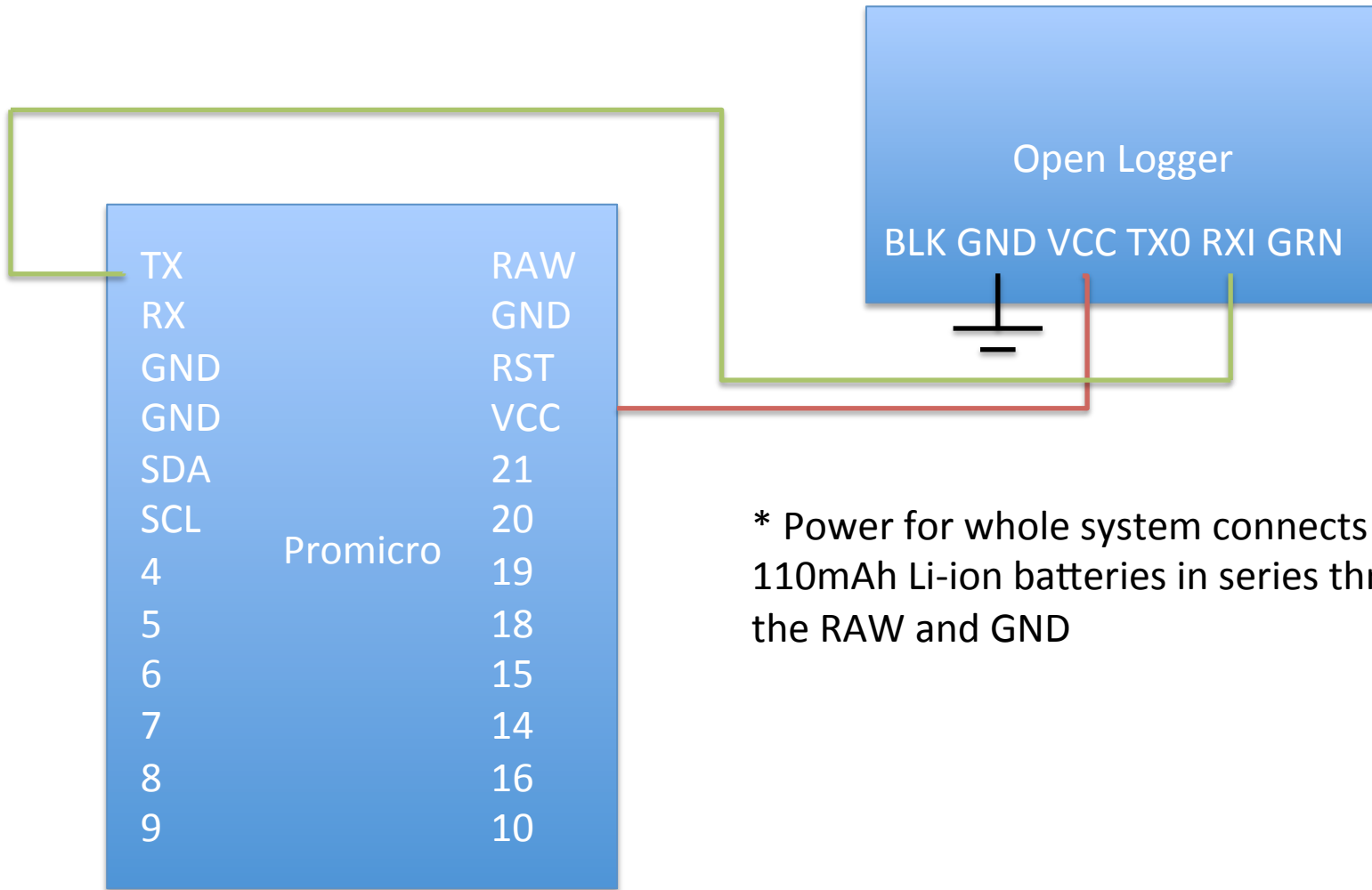
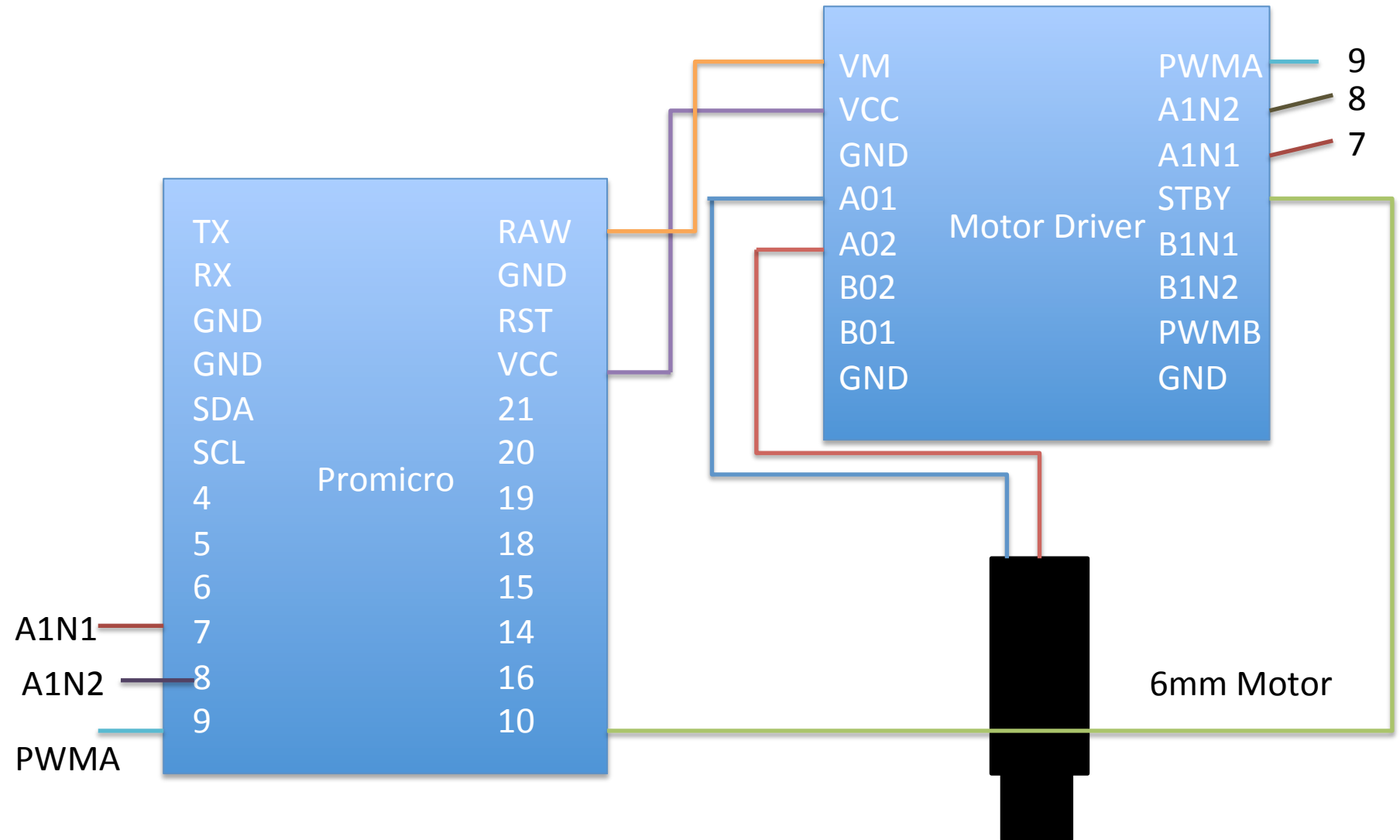


# Open Logger

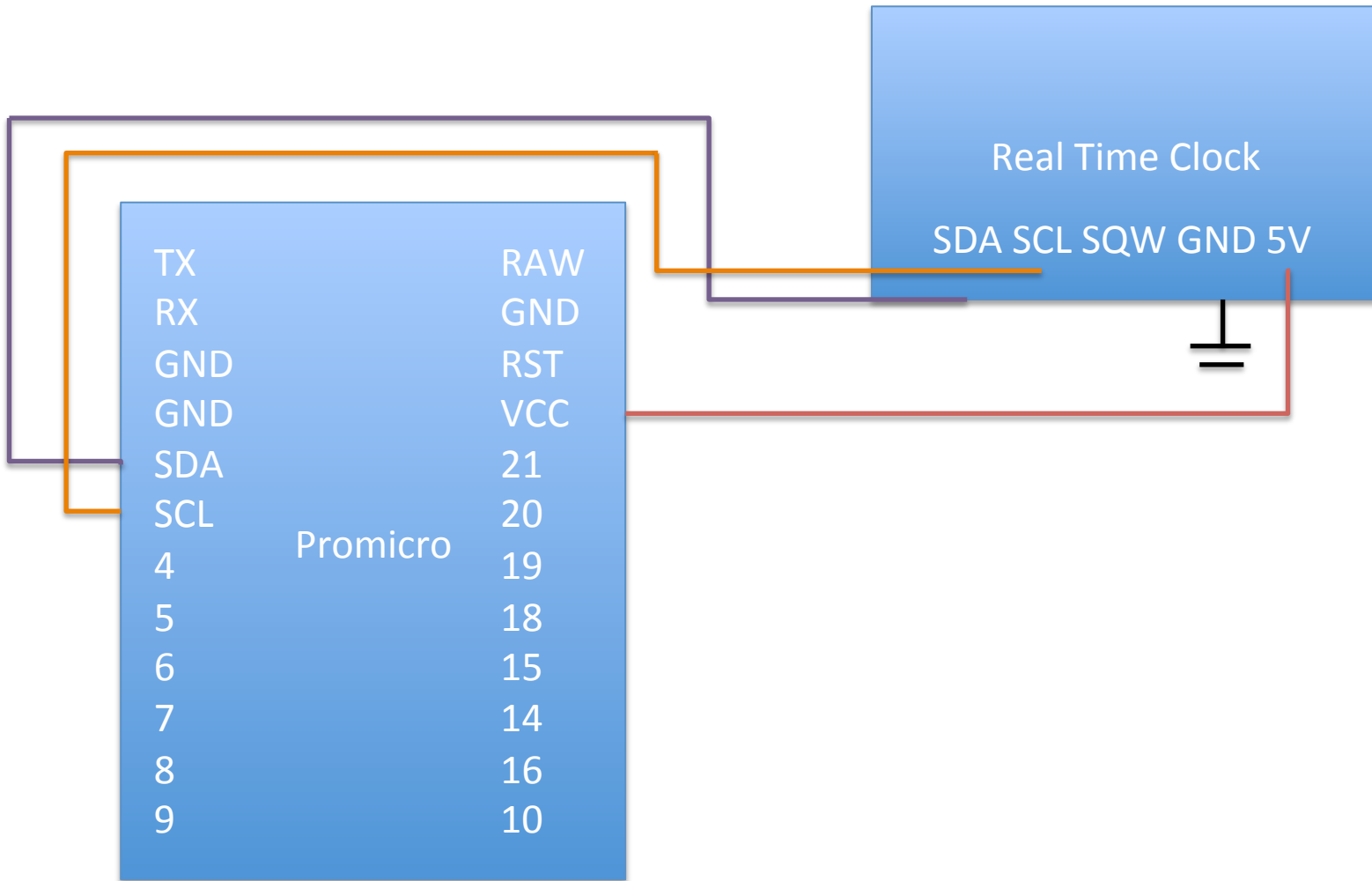


\* Power for whole system connects with 3 110mAh Li-ion batteries in series through the RAW and GND

# Motor Controller



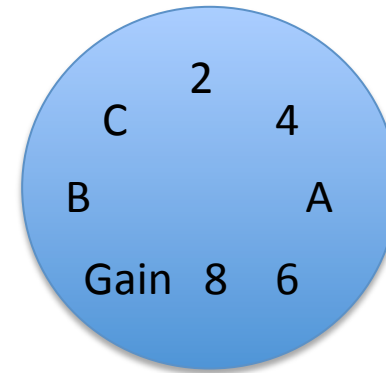
# Real Time Clock



# In Line Amp

See Kistler Manual,  
pages 13 and 23

|     |          |     |
|-----|----------|-----|
| TX  |          | RAW |
| RX  |          | GND |
| GND |          | RST |
| GND |          | VCC |
| SDA |          | 21  |
| SCL |          | 20  |
| 4   | Promicro | 19  |
| 5   |          | 18  |
| 6   |          | 15  |
| 7   |          | 14  |
| 8   |          | 16  |
| 9   |          | 10  |



Ports and wire colors

|      |                                 |
|------|---------------------------------|
| 2    | Green (GND)- goes to ground     |
| 4    | Orange (Output)- connects w/ 18 |
| A    | White-Orange                    |
| 6    | Blue- connects w/ 5             |
| 8    | Brown                           |
| Gain | White-Brown                     |
| B    | White-Blue                      |
| C    | White-Green                     |