

ME 478 Homework #8

Aluminum fins can be used to remove heat from a surface as shown in Figure 1. The thermal conductivity of aluminum is $168 \text{ W/(m } ^\circ\text{C)}$. The surface between nodes 1 and 2 is $150 \text{ } ^\circ\text{C}$. The convection coefficient is $30 \text{ W/(m}^2 \text{ } ^\circ\text{C)}$ and the fluid temperature is $20 \text{ } ^\circ\text{C}$. The thickness of the fin is 1 m . What are the temperatures at the 7 nodes shown in figure 1? Please show your work and draw a box around your answer to receive full credit.

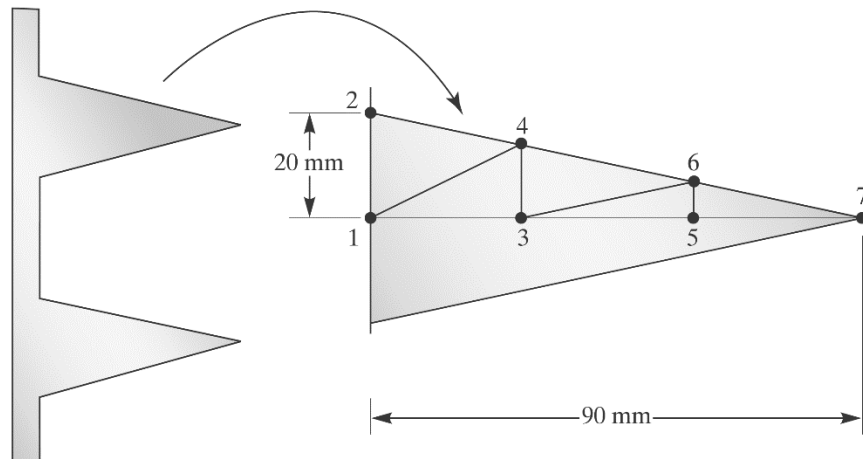


Figure 1.