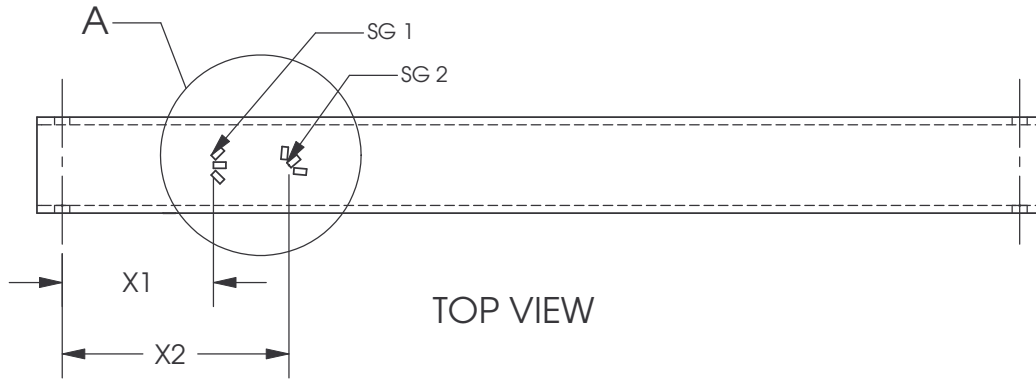
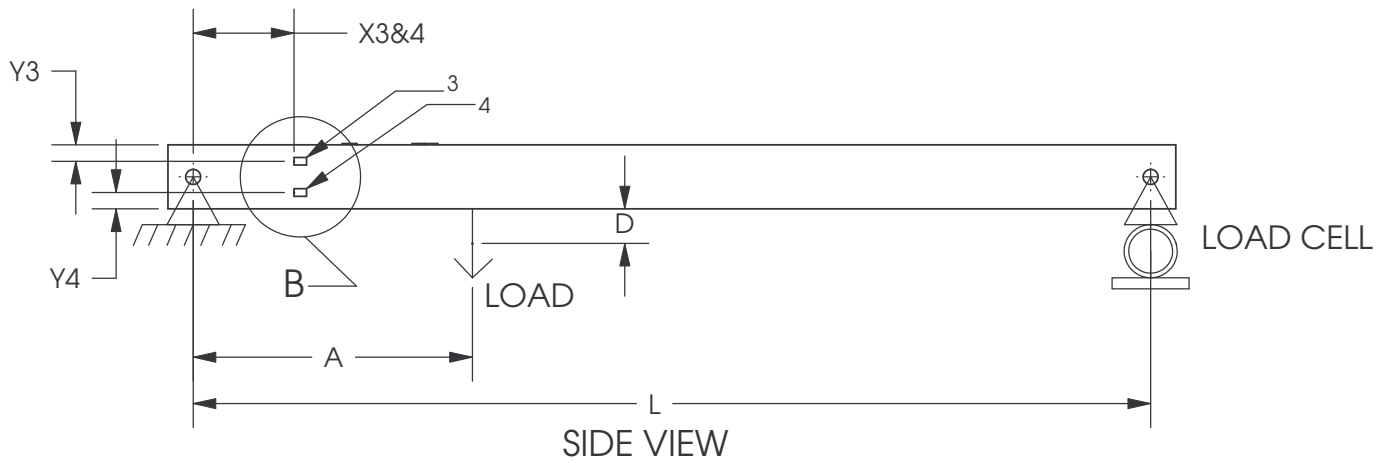


NOTES:

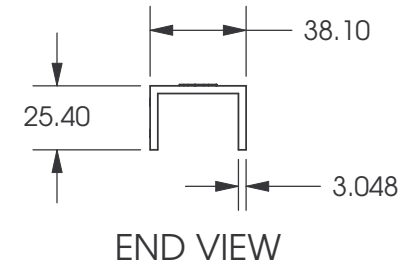
1. ALL DRAWING UNITS IN MM.
2. STRAIN MEASUREMENTS: $\mu\text{M/M}$.
3. LOAD CELL OUTPUT: NEWTONS, DISPLACEMENT: MM.



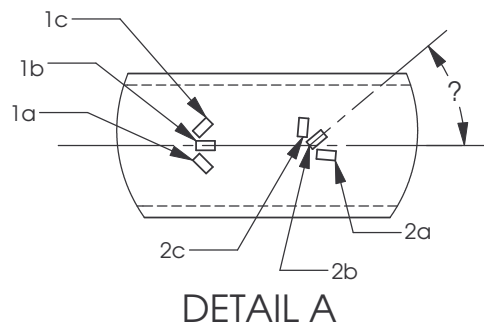
TOP VIEW



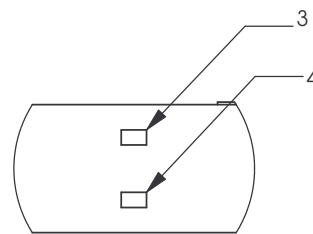
SIDE VIEW



END VIEW



DETAIL A



DETAIL B

L	A	X1	X2	X 3&4
		Y3	Y4	

Measurement	1a	1b	1c	
0				
1				
2				
3				
Measurement	2a	2b	2c	
0				
1				
2				
3				
Measurement	3	4	Load Cell (N)	D (mm)
0				
1				
2				
3				

TITLE:	
ME354 BEAM LAB	
C-CHANNEL	
SIZE	REVISION DATE
A	DR - 01/11/06