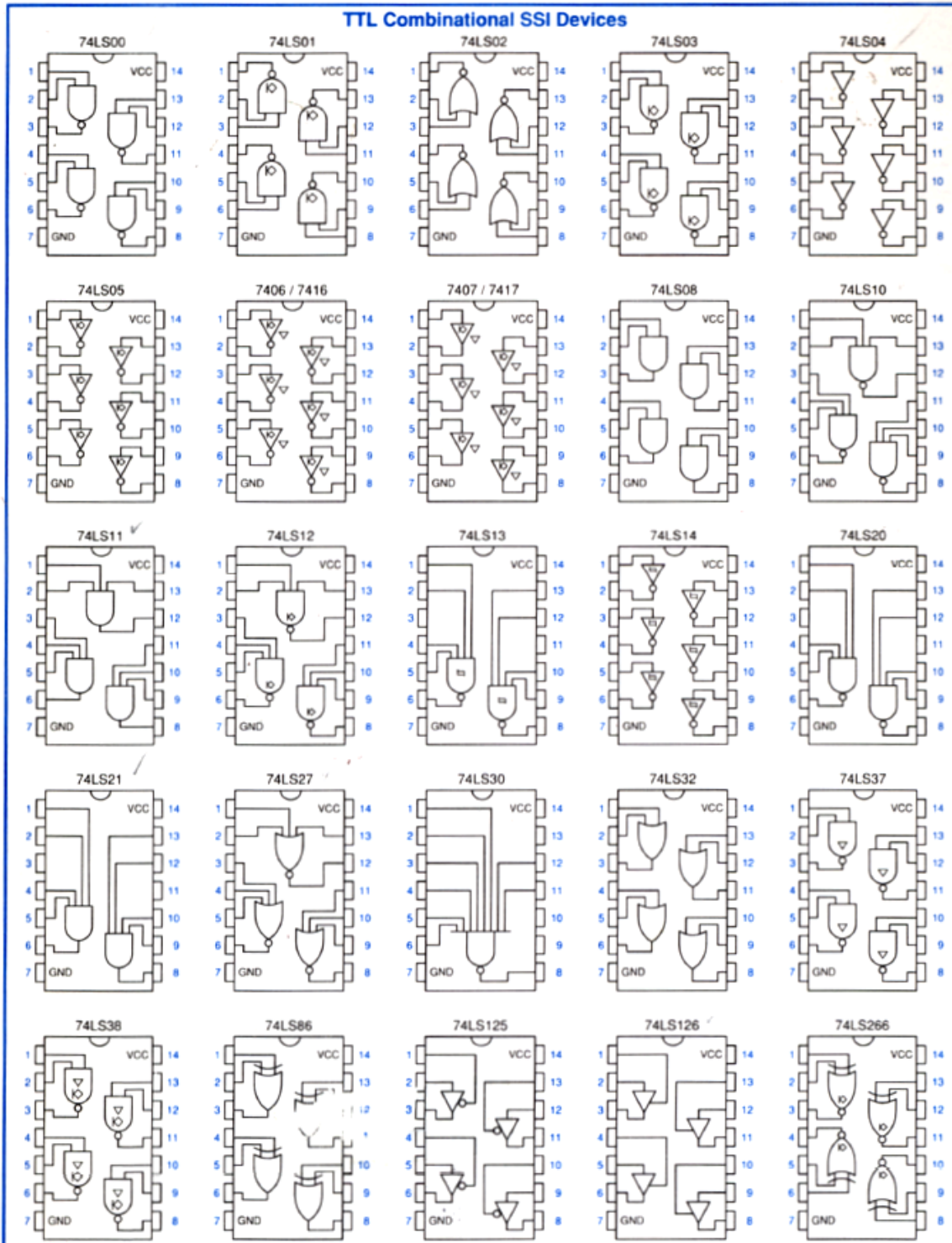


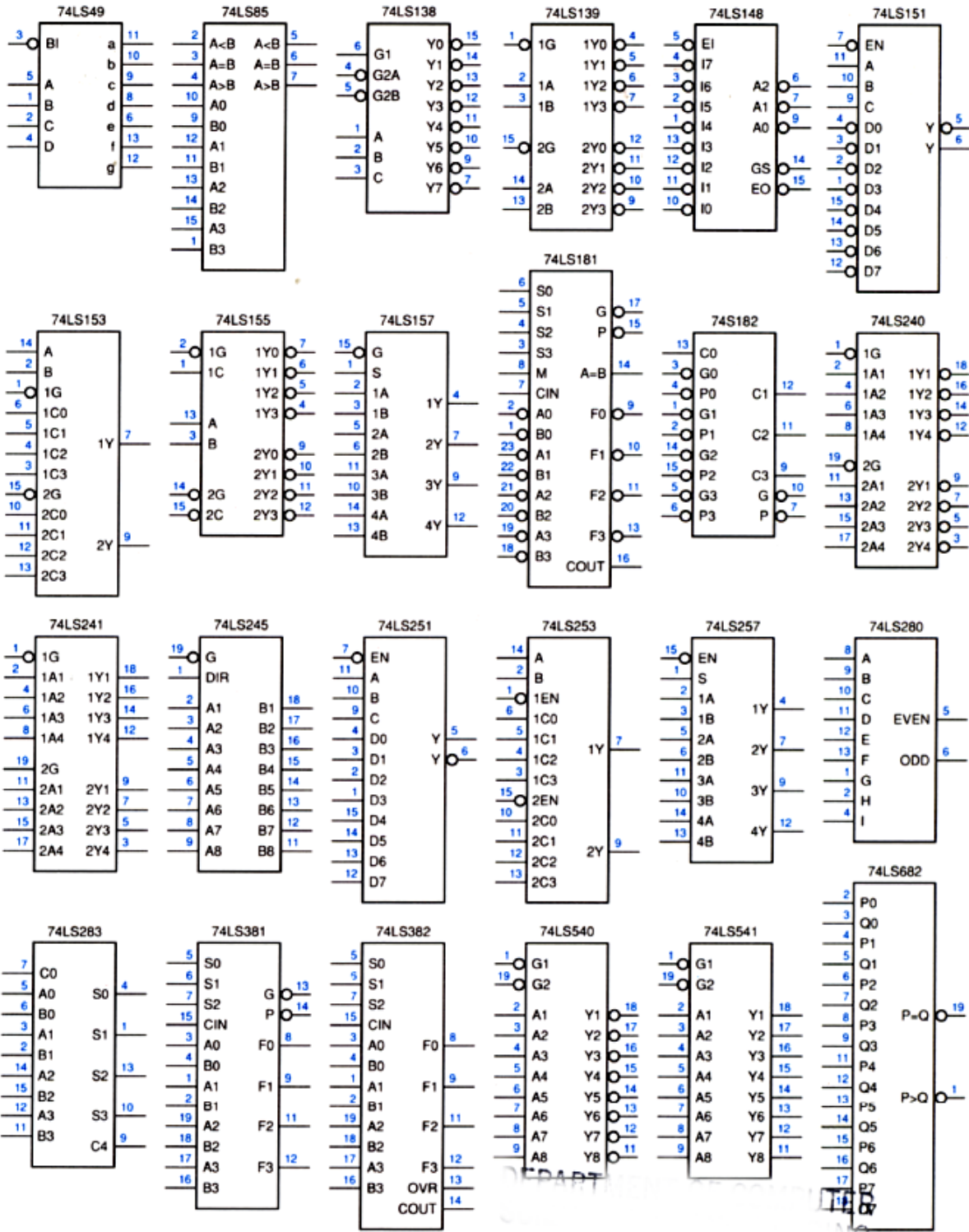
7400 Logic Chips

Institute Stock Includes: 7402, 7404, 7404, 7408, 7410, 7420, 7430, 7432, 7472, 7474, 7485, 7486, 7493, 75109, 74112, 75125, 74153, 74163, 74164, 74245, and also 1489

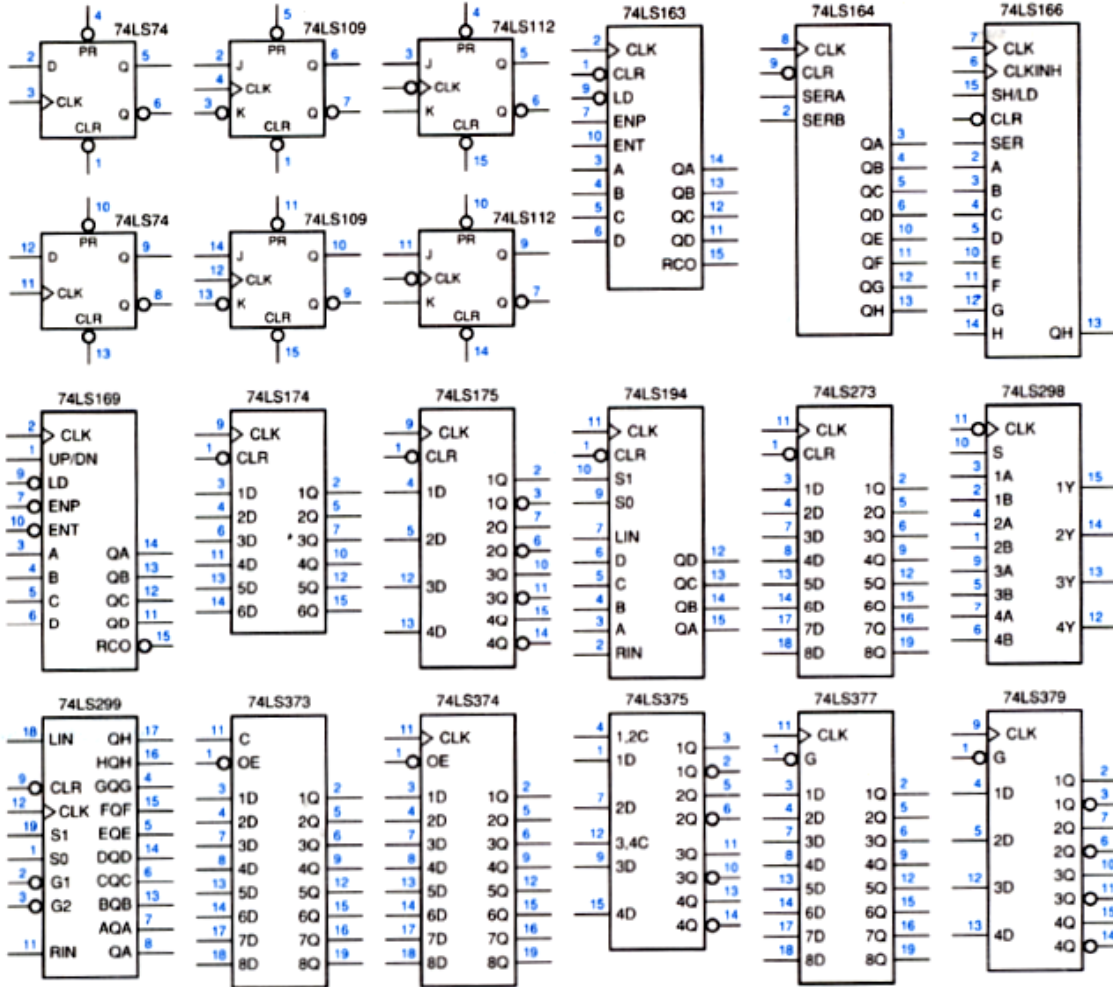
For Specification sheets, see: <http://www.ee.washington.edu/stores/>
and click on [Library of Data Sheets](#)



TTL Combinational MSI Devices



TTL Sequential MSI Devices



EPROMs

