

3.3 Information Bounds via Derivatives of Functions

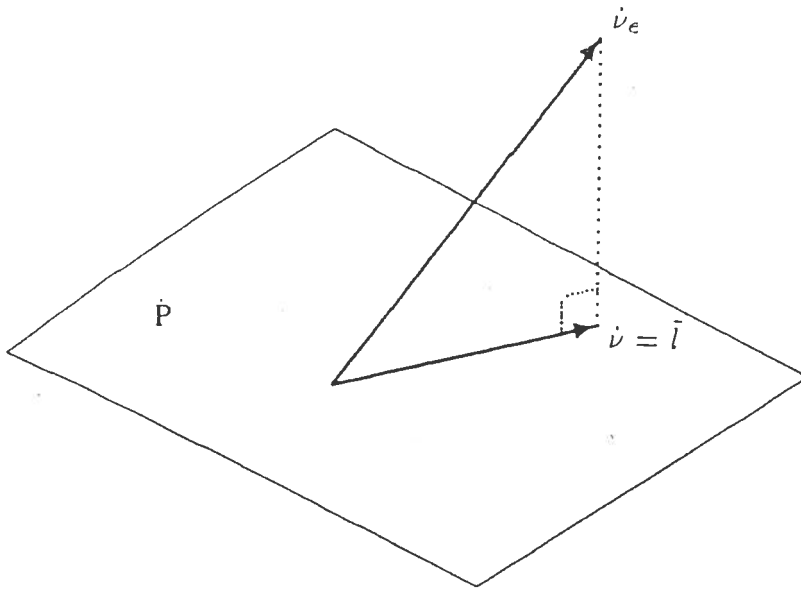


FIGURE 1. Projection of pathwise derivatives.

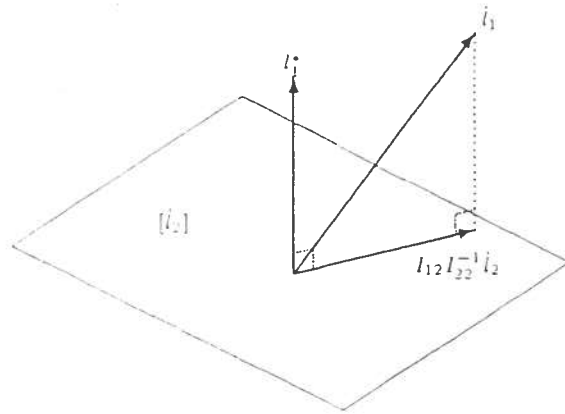


FIGURE 1. Projection of score functions.

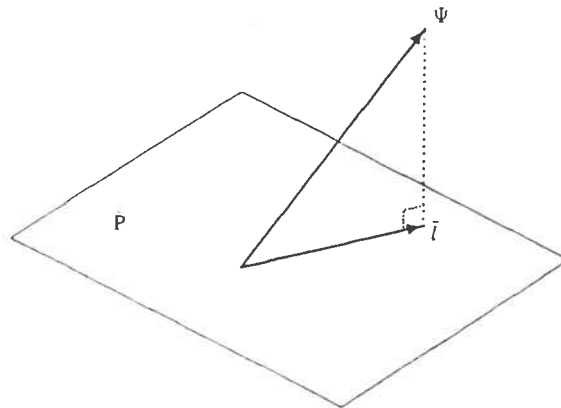


FIGURE 2. Projection of influence functions.

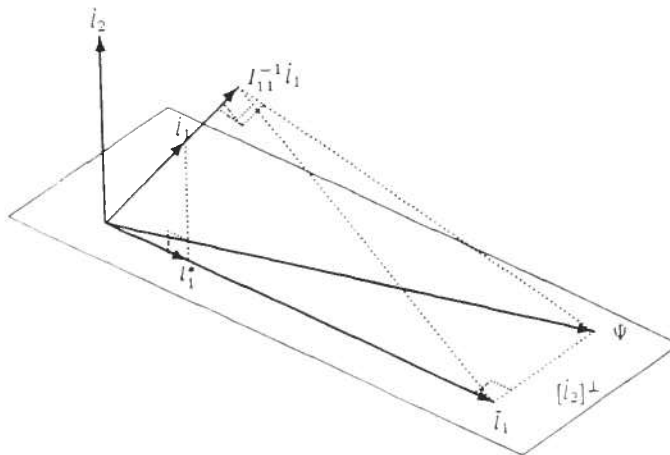


FIGURE 3. Score and influence function projections.