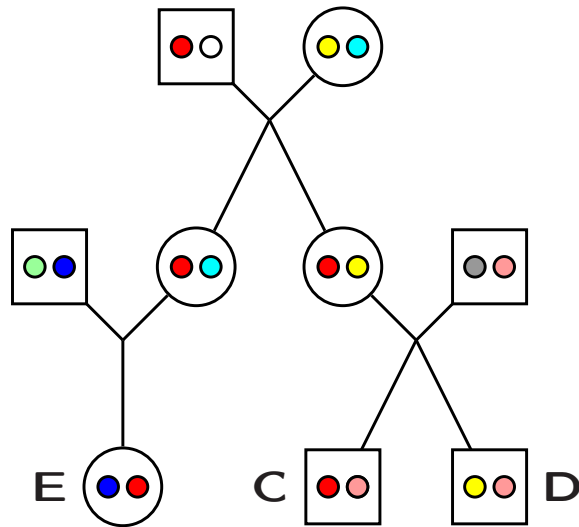
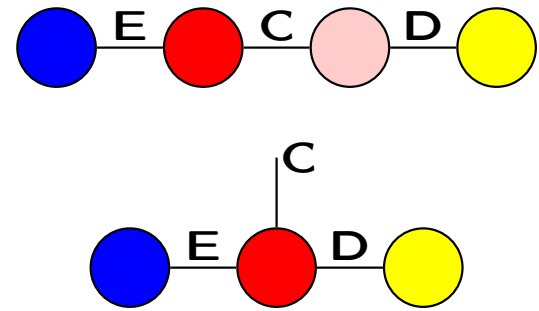


Given *ibd*, we know everything



These *ibd*: ● Also these: ●
But not to each other.



●	●	●	●	
a	a	a	b	$q_a^3 q_b$
a	a	-	b	$q_a^2 q_b$

- For example:

$$\Pr(E = aa, C = aa, D = ab)$$

- Or $\Pr(Y_E, Y_C, Y_D) = \sum_{\bullet} \sum_{\bullet} (\Pr(Y_E | \bullet, \bullet) q(\bullet) q(\bullet) \sum_{\bullet} (\Pr(Y_C | \bullet, \bullet) q(\bullet) \sum_{\bullet} (\Pr(Y_D | \bullet, \bullet) q(\bullet))))$